

Wide FOV Electronic Autocollimator

Extreme Resolution with Wide Field of View



- Precise USB3.0 device combining the functionality of autocollimator and alignment telescope.
- High resolution of down to 0.01 arc sec or 0.05 μ rad, with clear aperture exceeding 45 mm.
- Built-in computer controlled laser pointer for easy alignment.
- Built-in Pan & Tilt adjusting mechanics.

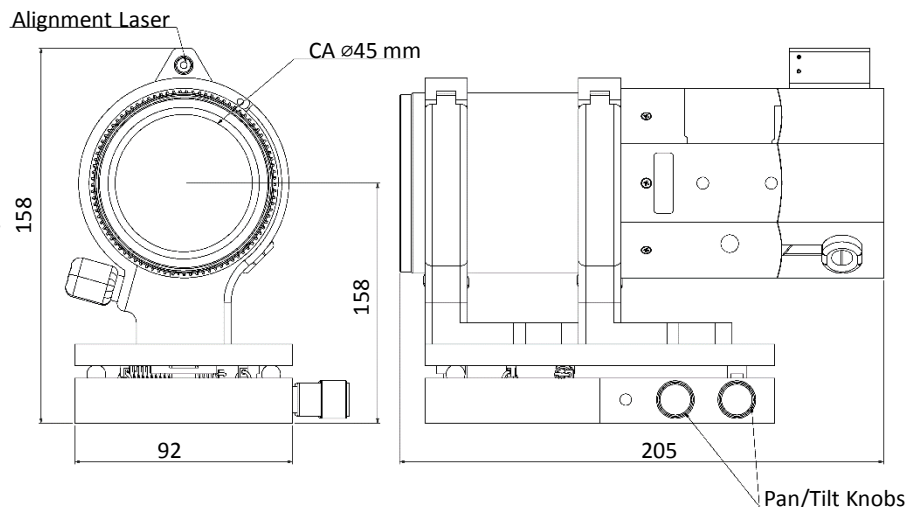
Specifications

Spectral Response	350 - 1600 nm (user selectable)
Gain Control	1-24 dB
Shutter Speed	39 μ sec to 20 sec
FoV Autocollimator	$\pm 45'$ (V) x $\pm 1^{\circ}10'$ (H)
FoV Telescope	$\pm 1^{\circ}30'$ (V) x $\pm 2^{\circ}20'$ (H)
Clear Aperture	45 mm
Resolution	0.01 sec
Accuracy	1.0 sec
Camera (Wide Spectral Range)	2.4 MegaPixels, 12 bit
Light Source	LED- 650, optional: 1060. Special order: 1310 / 1550 nm

Retro-reflector for alignment	$\varnothing 64$ mm, N.W 280 g Thread $\varnothing 16$ mm, <5"
Pan & Tilt knobs	Tilt $\pm 2^{\circ}$, Pan $\pm 2.5^{\circ}$
Built in coarse aiming Laser Pointer	638 nm power <1.0 mW Class 2 laser product, IEC60825-1
Synchronization	•Software •Hardware (external trigger signal)
Interface	USB 3.0
Exposure Control	Programmable via GUI
Housing Size (L x W x H) in mm	205 x 92 x 158
Power Requirements	~2.5 Watt (Via USB 3.0 interface)
Weight (typical)	3.7 kg

Ordering Information

Model EAC-FOV: Complete system including a collimator unit with USB 3.0 camera, cable, retroreflector for infinity adjustment, application software on CD/Flash Memory, carrying case.



Dimensions are in mm.

DUMA OPTRONICS LTD.