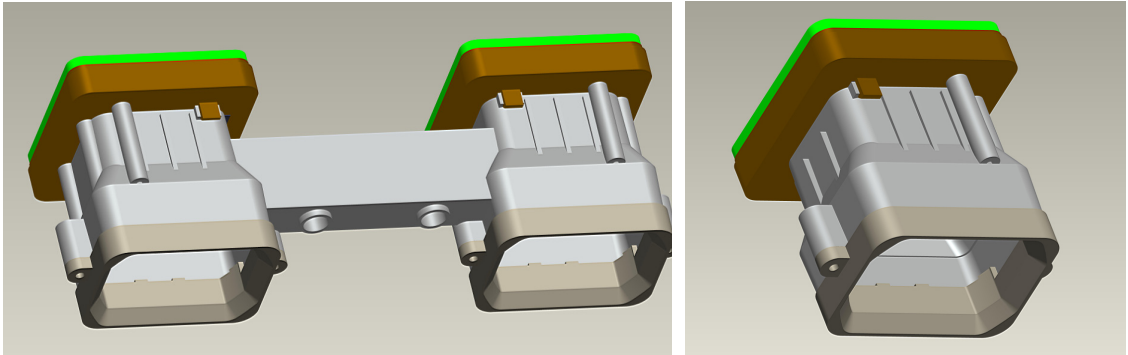


---

# Mono/Bin ocular

## P130X-001-RM & RB



This optics is to help customers accelerate OLED micro display based product development and design. It is suitable for 0.5" OLED microdisplays with SVGA pixels. The product can be easily applied to the customer's product development and design. This ocular is mainly used in night -vision device` helmets display products such as applications.

### Feature

#### -- Optical

Field of view (FOV): 33°  
Exit Relief: 20mm  
Exit Pupil: 10mm  
Interpupillary Distance (IPD): 63.5mm  
Magnification: 13X  
Lens Material: Resin  
Seal level: unsealing

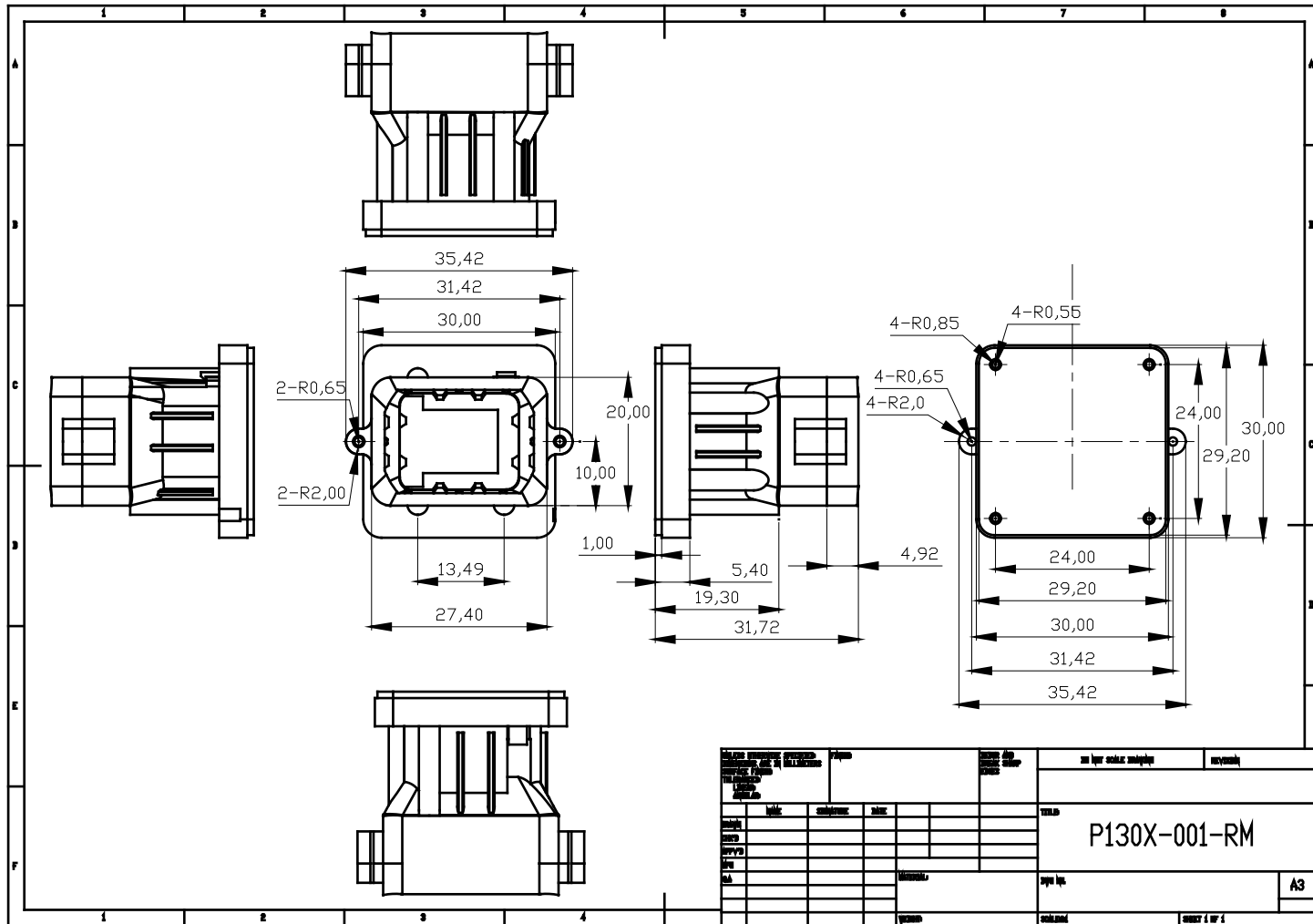
#### -- Sizes

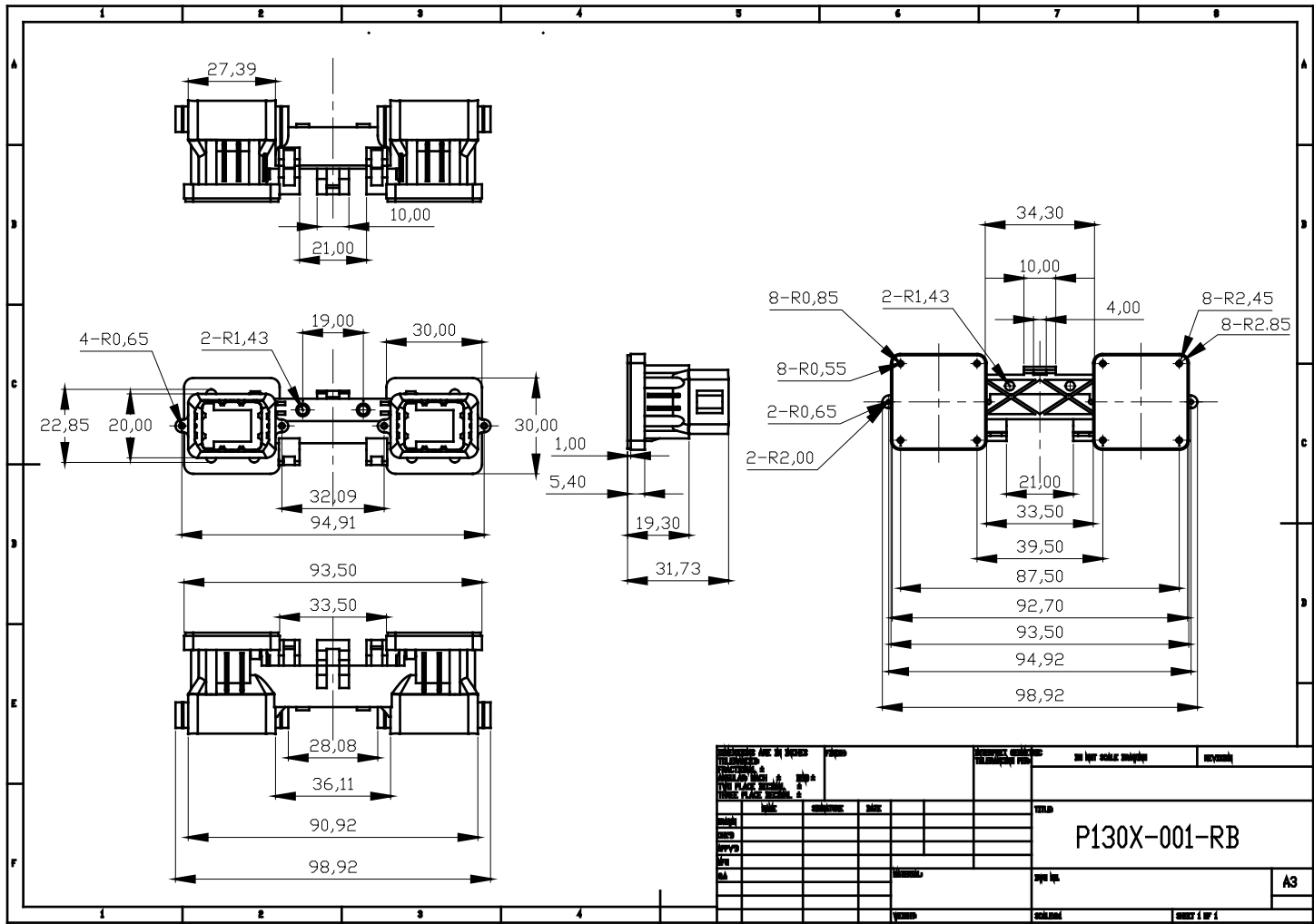
98.92 mm (l) x 30.00 mm (h) x 30.00 mm (d) (bin-ocular)  
30.00mm (l) x 30.00 mm (h) x 30.00 mm (d) (mono-ocular)

#### -- Weight

40g(bin-ocular)/20g(mono-ocular)

-- Dimmensions





PROJEKCIJA		MATERIJAL		MERE		MERE		MERE	
1	2	3	4	5	6	7	8	9	10
<p><b>P130X-001-RB</b></p>								<p>A3</p>	
<p>1/1</p>								<p>1/1</p>	